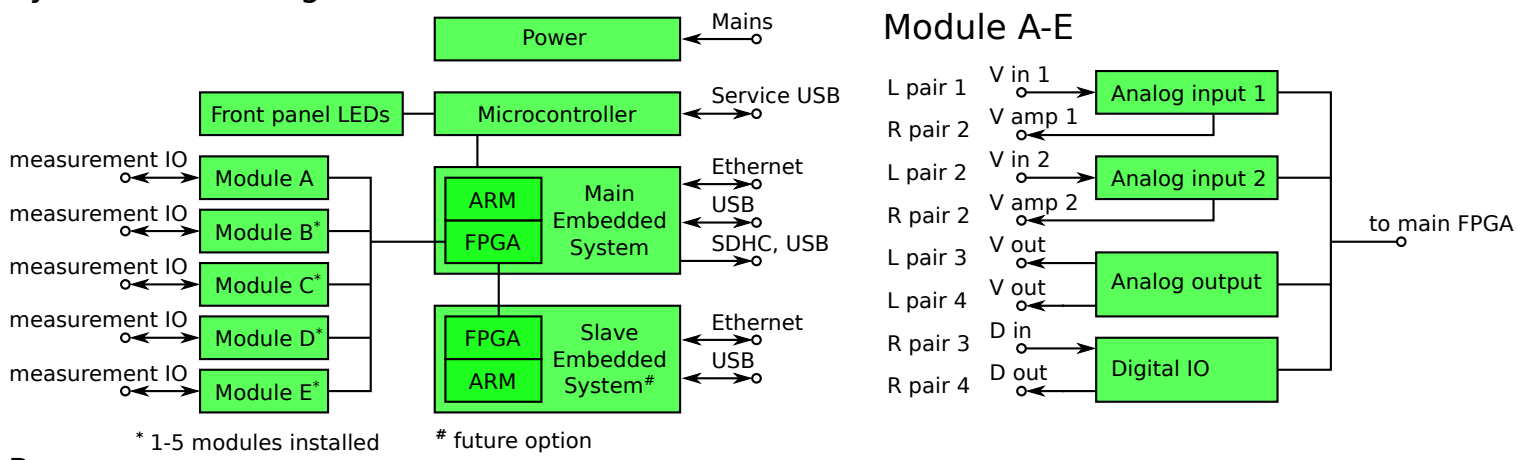
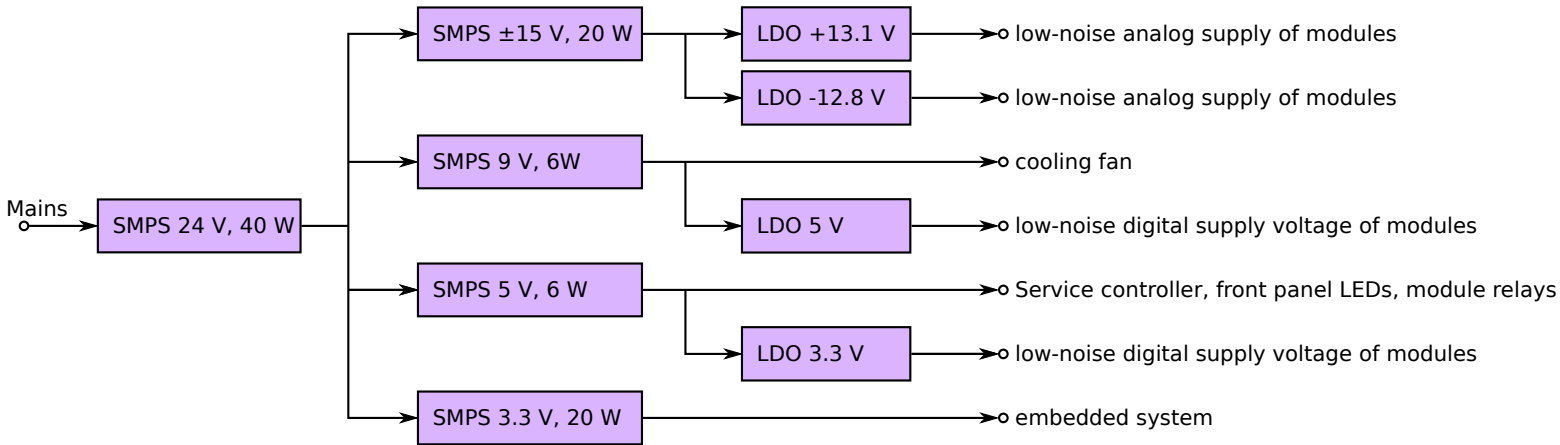


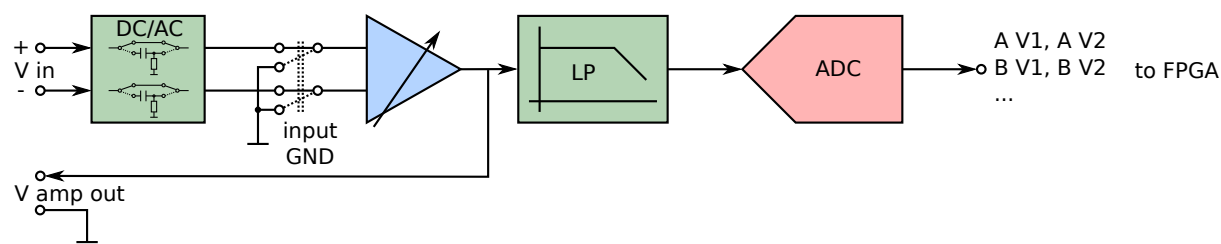
System block diagram



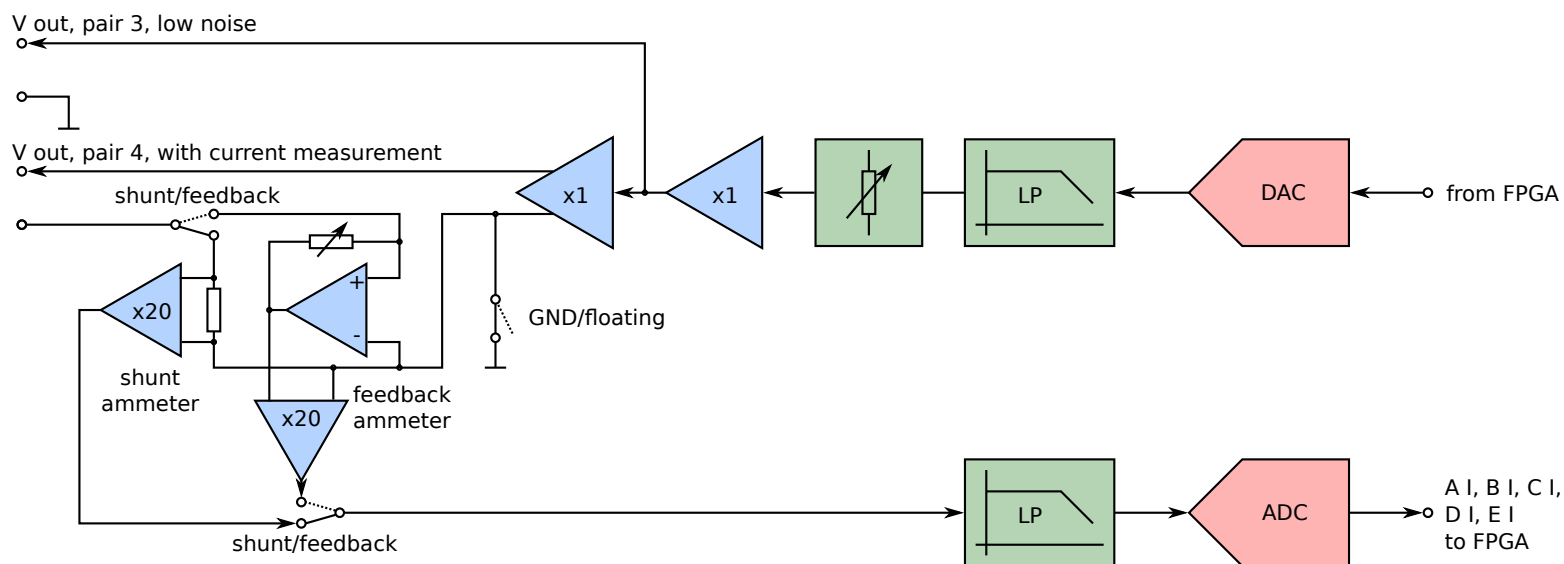
Power



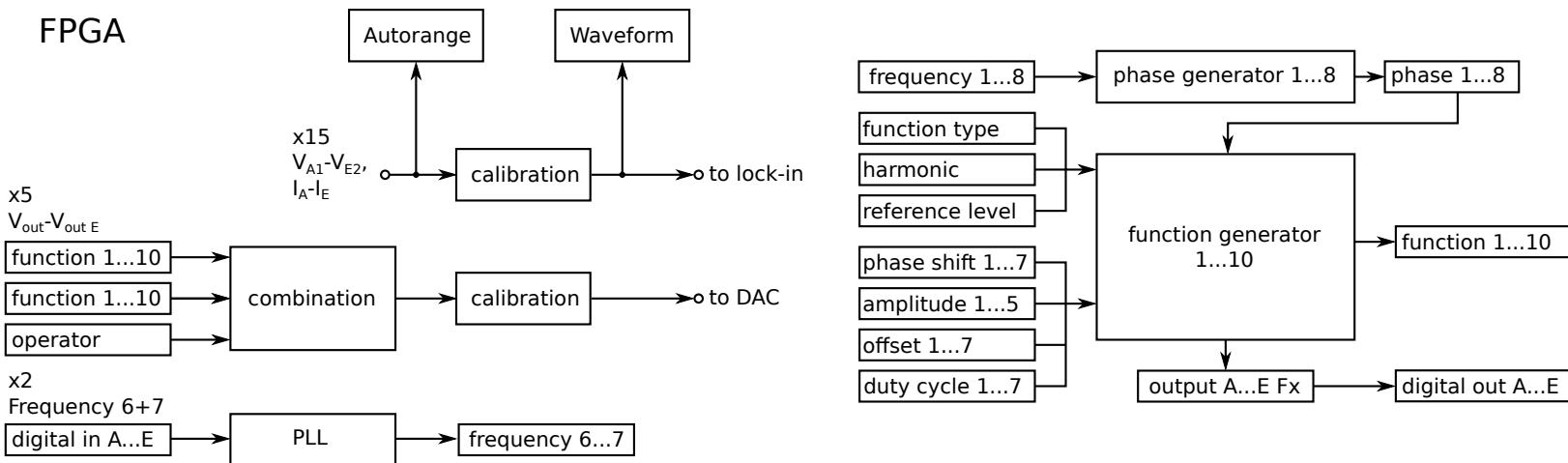
Module analog input 1 & 2



Module analog output



FPGA



Lock-in

